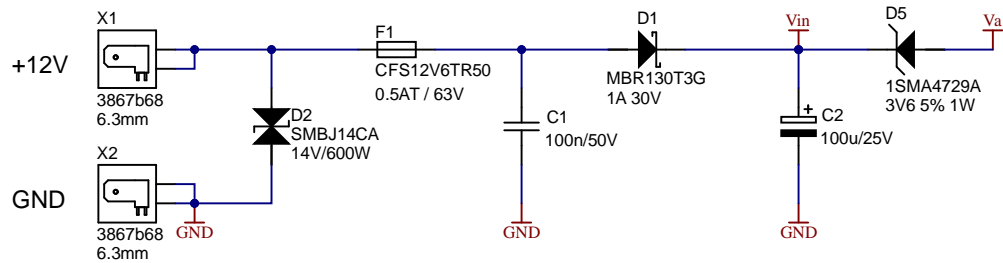
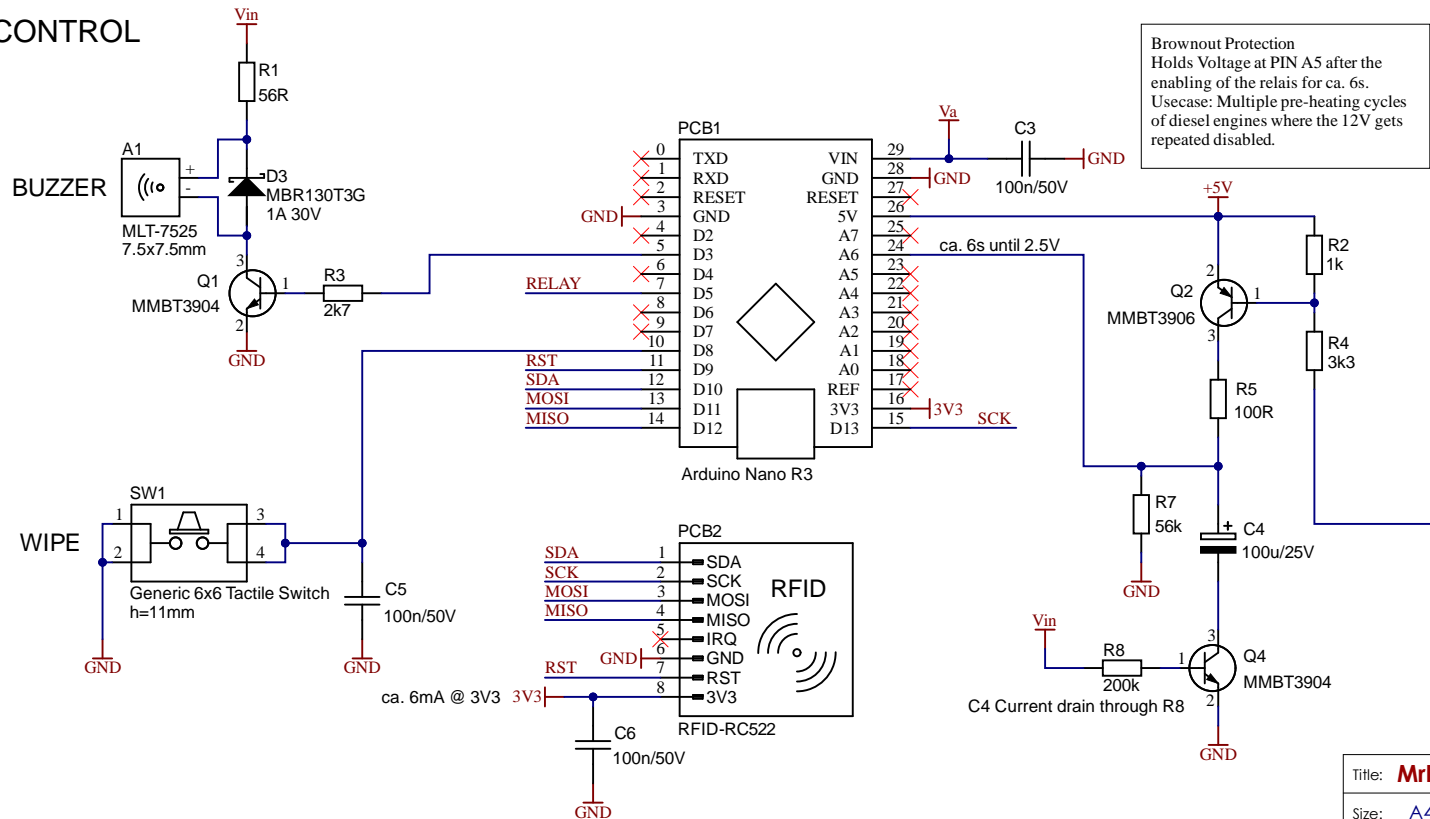


POWER



Input Current DC
 Vin = 12-14Vdc
 IDLE: 48mA
 ON STATE: 62mA
 D1 - polarity protection
 D5 - Arduino LDO protection

CONTROL

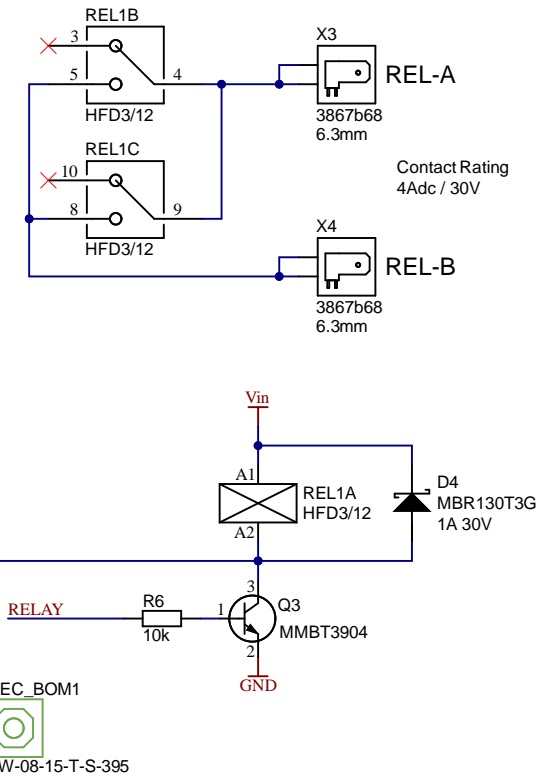


Brownout Protection
 Holds Voltage at PIN A5 after the enabling of the relays for ca. 6s.
 Usecase: Multiple pre-heating cycles of diesel engines where the 12V gets repeated disabled.

OPEN HARDWARE LICENCE

Copyright Wellental e.U. 2021
 This source describes Open Hardware and is licensed under the CERN-OHL-Pv2
 You may redistribute and modify this documentation and make products using it under the terms of the CERN-OHL-Pv2 (<https://cern.ch/cern-ohl>). This documentation is distributed WITHOUT ANY EXPRESS OR IMPLIED WARRANTY, INCLUDING OF MERCHANTABILITY, SATISFACTORY QUALITY AND FITNESS FOR A PARTICULAR PURPOSE. Please see the CERN-OHL-Pv2 for applicable conditions.

RELAY



Title: MrNoStart RFID Killswitch			Wellental e.U. Märzstrasse 65/1/1 1150 Wien AUSTRIA	
Size: A4	Engineer: SEWA	Revision: 2.2		
Date: 22.10.2021	Time: 13:43:34	Sheet 1 of 1		
Variant: [No Variations]				